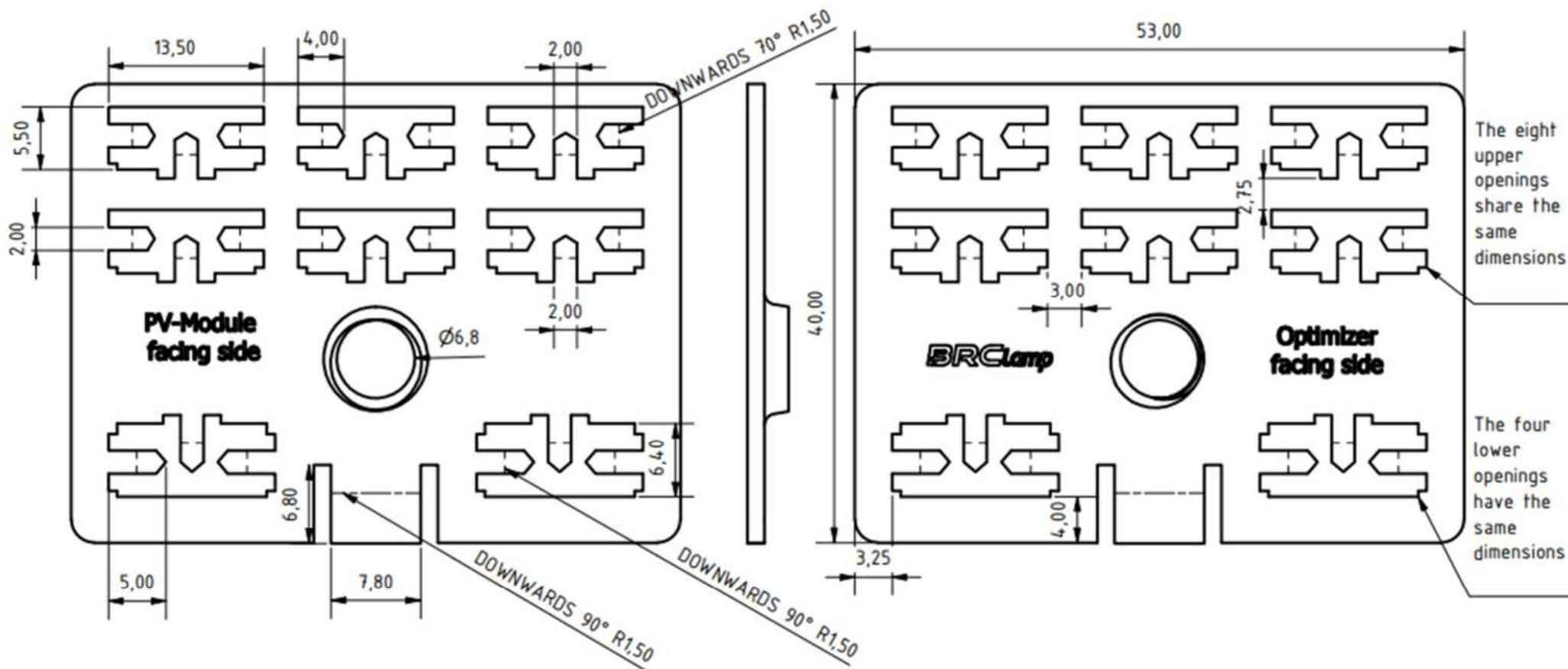


Bottom View ( 2 : 1 )

Right View ( 2 : 1 )

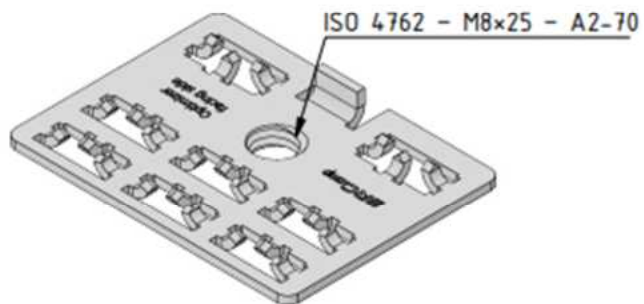
Top View ( 2 : 1 )



The eight upper openings share the same dimensions

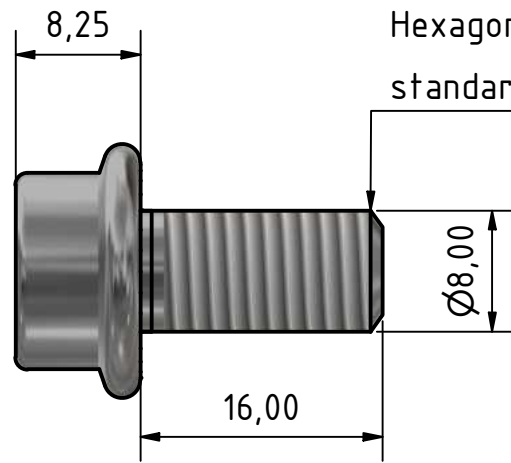
The four lower openings have the same dimensions

ISO View ( 1 : 1 )

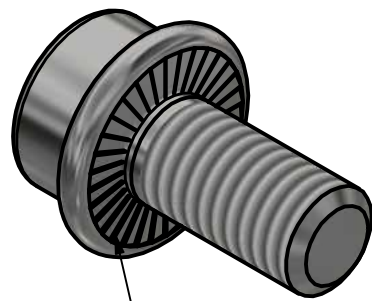
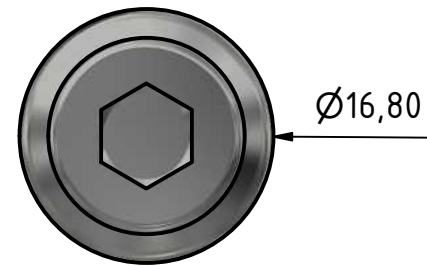


**This is a preliminary drawing. Part design is subject to change**

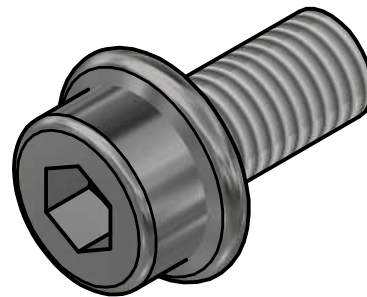
 Gehrstraße 2, 74275 Södingen UNLESS OTHERWISE SPECIFIED, DIMENSIONS ARE IN MILLIMETERS FIRST ANGLE PROJECTION	NAME	SIGNATURE	DATE	If not stated otherwise, tolerances according to DIN ISO 2768-m apply: ±0,1 mm (up to 5 mm), ±0,2 mm (up to 30 mm), ±0,3 mm (up to 100 mm), ±0,5 mm (up to 400 mm) This drawing is confidential. Reproduction, disclosure, or use only with BRC Solar GmbH's written consent	
	DRAWN	Alejandra Romero	26.11.2025		
	CHECKED			TITEL	
	APPROVED			BRC-M-BRCLAMP	
	MATERIAL	1.5mm Stainless Steel (1.4301 EN 10088)	SIZE	DWG. NO.	REV.
			A4	250011	V2-0
			SCALE	WEIGHT	SHEET
			2 : 1		1/1



Hexagon socket head with serrated flange, M12 x 16,  
standard similar to ISO 4746



Serrated flange



**This is a preliminary drawing. Part design is subject to change**



UNLESS OTHERWISE SPECIFIED, DIMENSIONS ARE IN MILLIMETERS

FIRST ANGLE PROJECTION



	NAME	SIGNATURE	DATE
DRAWN	Alejandra Romero		23.03.2026
CHECKED			
APPROVED			

If not stated otherwise, tolerances according to DIN ISO 2768-m apply:  
±0.1 mm (up to 6 mm), ±0.2 mm (up to 30 mm), ±0.3 mm (up to 120 mm), ±0.5 mm (up to 400 mm)  
This drawing is confidential.  
Reproduction, disclosure, or use only with BRC Solar GmbH's written consent

TITEL  
BRC-M-CLAMP-SCREW

SIZE A4	DWG. NO. 260003	REV. V1-0
------------	--------------------	--------------

MATERIAL Stainless Steel ISO 3506-01 A2-70	SCALE 2 : 1	WEIGHT	SHEET 1/1
---	----------------	--------	--------------